



Smart Comfort For Any Space

mission PRO

Up to 25.5 SEER



Energy Saving



Smart



Comfort



Smart WiFi Control

Download the MideaHome app to control home's air conditioning at any time and from anywhere.



i-Clean Technology

The i-Clean Technology washes away dust, old, & grease that may cause odors when it adheres to the heat exchanger by automatically freezing and then rapidly thawing the frost.



Genius Core

Allows continuous operation at ultra-low compressor speed of 12Hz;

Allows compressor ultra-stable operation (vibration decreased up to 16 Times)



Sprint Activation

Like a runner sprinting to the line, this tech enables the compressor to achieve maximum frequency in split of the moment.



Coating: Golden Fin

Golden Fin is more resistant to oxidation & corrosion than ordinary fins for condensers to furnish a steadier and long-lasting working environment.

It can efficiently prevent bacteria from breeding and spreading and withstand corrosive elements.



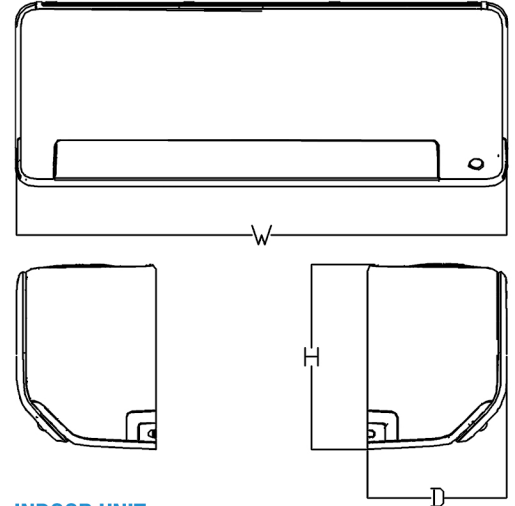
Rotation: Intelligent dusting switch

The Welling DC motor itself can constantly rotate in reverse to get rid of the sand and dust from outside, ensuring that the compressor is clean and function well.

Professional installation required - R410A Refrigerant 208 / 230v Applications - Up to 25.5 Seer
Consult your air conditioning professional for details.

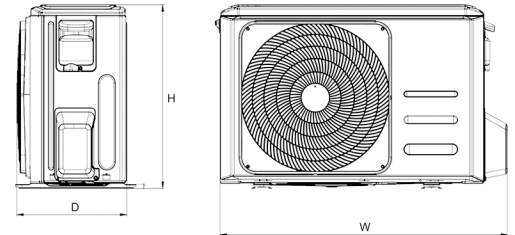
OLDACH
REFRIGERATION, AIR CONDITIONING & VENTILATION SUPPLIER

Indoor		MSEPB-12HRFN1-MW5W(GA)	MSEPC-18HRFN1-MU0W	MSEPD-24HRFN1-MU0W	
Power supply		Ph-V-Hz	208/230V, 1Ph, 60Hz	208/230V, 1Ph, 60Hz	
Cooling	Capacity	Btu/h	12000	18000	24000
	Input	W	857	1440	1714
	Rated current	A	3.72	6.45	8
	SEER		25.5	22.6	22
	EER	W/W	4.10	3.66	4.10
Heating	Capacity	Btu/h	12000	19000	25000
	Input	W	907	1650	1953
	Rated current	A	4.1	7.4	8.7
	COP	W/W	3.88	3.37	3.75
Electrical	Max. input consumption	W	2950	2900	3910
	Max. current	A	13	13.5	17
Compressor	Type		ROTARY	ROTARY	Twin-ROTARY
	Capacity	W	3465	4315	7600
	Input	W	885	1090	2045
	Rated current (RLA)	A	5.95	7.15	9.30
	Refrigerant oil/oil charge	ml	VG74/350	ESTER OIL VG74 440	ESTER OIL VG74 620
Indoor fan motor	Model		ZKFP-20-8-6-21	ZKFP-30-8-3-10	ZKFP-58-8-1-6
	Input	W	50.0	36.0	58.0
	Speed (Hi/Mi/Lo)	r/min	1050/930/870	1240/1024/916	1000/850/700
	Indoor air flow (Hi/Mi/Lo)	m ³ /h	570/390/300	890/640/520	1039/704/542
Indoor unit	Indoor noise level (Hi/Mi/Lo)	dB(A)	38/33.5/23.5	46.5/43/32.5	44/39.5/34
	Dimension (W*D*H)	inch	31.29x8.85x11.61	37.99x9.40x12.55	44.88x10.82x14.56
	Packing (W*D*H)	inch	34.25x14.560x12.00	41.14x15.74x12.79	48.42x17.91x13.97
	Net/Gross weight	Kg	10.4/13.1	12.3/16.2	19.8/24.9
Outdoor fan motor	Model		ZKFN-34-10-1	ZKFN-80-8-3	ZKFN-120-8-2
	Input	W	/	/	150.0
	Speed	r/min	850/680/450	810/720	900/810/450/360
	Outdoor air flow	m ³ /h	2250	3000	3800
Outdoor unit	Outdoor noise level	dB(A)	56	58	60
	Dimension (W*D*H)	inch	31.69x12.99x21.81	35.03x13.46x26.49	37.24x16.14x31.88
	Packing (W*D*H)	inch	36.02x14.56x24.21	39.17x15.66x29.13	42.91x19.68x34.84
	Net/Gross weight	Kg	33.4/36	43.1/46.2	56.6/61.2
Refrigerant	Refrigerant type	Kg	R410A/1.18	R410A/56.44	R410A/82.89
	Liquid side/ Gas side	inch	1/4in - 1/2in	1/4in - 1/2in	3/8in - 5/8in
Refrigerant piping	Max. refrigerant pipe length	m	25	30	50
	Max. difference in level	m	10	20	25
Miscellaneous	Connection wiring		16#x4	16#x4	16#x4
	Thermostat type		(Remote Control)	(Remote Control)	(Remote Control)
Room temperature	Indoor (cooling/ heating)	°F	60~89/0~80	60~89/0~80	60~89/0~80
	Outdoor (cooling/heating)	°F	-7~25/1-7~167	-22~122/-13~75	-8~122/-13~75



INDOOR UNIT

Model	W(in)	D(in)	H(in)
12K	31.3	8.86	11.61
18K	37.99	9.41	12.56
24K	46.69	10.16	13.5



OUTDOOR UNIT

Model	W(in)	D(in)	H(in)
12K	31.69	12.99	21.81
18K	35.04	13.46	26.5
24K	37.24	16.14	31.89

COMPACT BODY, GREAT EFFICIENCY

Up to 25.5 SEER

